

TECHNICAL BULLETIN



Subject:

Dead Head Discharge

Bulletin #: **00-115766-0 B** Rev Created by: **JGPB** Date: **2018-02-06**

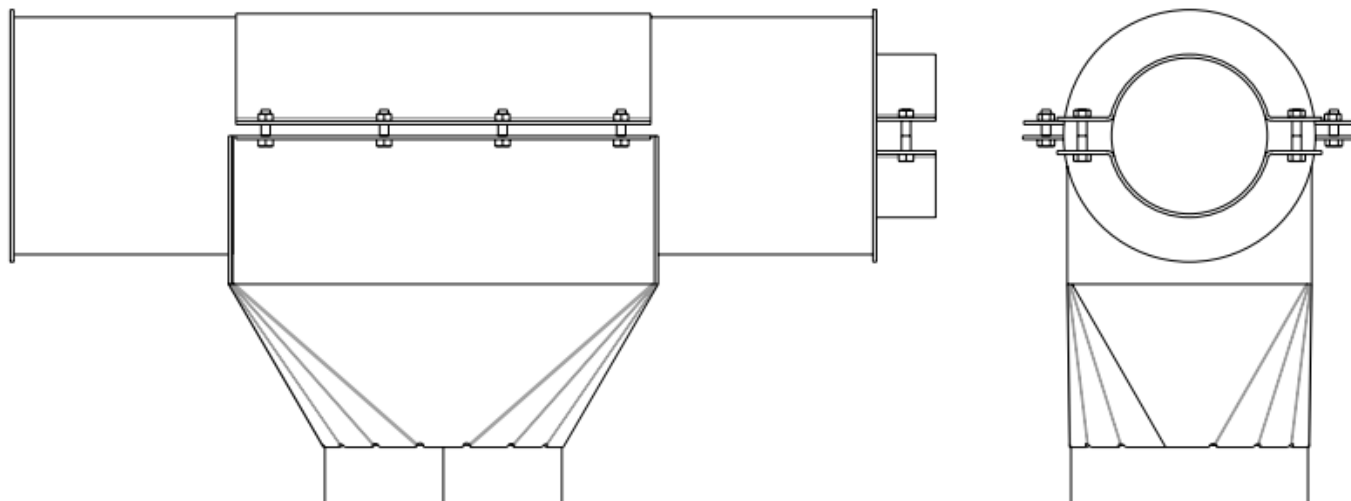
ECR # **56074** Production: - Service: - Sales: **X**
Product Lines: Transportation Equipment: - Agri-vac/Pneumatic Equipment: **X**

Walinga now offers dead heads which can be installed at the end of a conveying line. The sizes currently available are 4", 5", and 6". These Dead Heads are designed to be a simple solution if a customer is looking for an economical alternative to a discharge cyclone.

The current part numbers are as follows:

- 38-115299-5 DEAD HEAD ASSY, 4"
- 38-112683-5 DEAD HEAD ASSY, 5"
- 38-115779-5 DEAD HEAD ASSY, 6"

Model Drawing of Dead Head



For further information, do not hesitate to contact your Walinga representative.