

# WALINGA BLOWERS

**WALINGA**<sup>®</sup>  
INC.

**ML**  
PNEUMATIC  
CONVEYING  
SYSTEMS



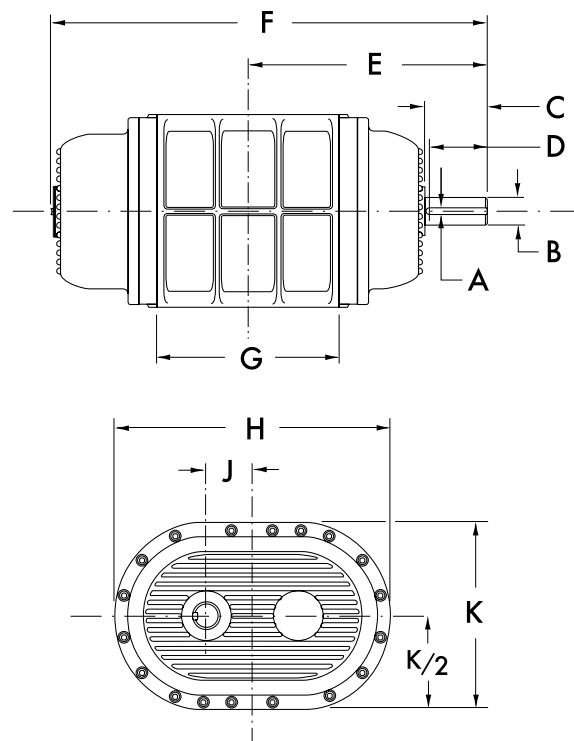
**WALINGA**<sup>®</sup>  
TOUGH TO BEAT IN THE LONG RUN

## WALINGA BLOWERS

Experienced in the manufacturing of feed and grain handling equipment, Walinga is first for quality. Walinga blowers are fabricated from special alloy castings that facilitate hardening. Walinga's proprietary super hardening process out-performs chrome hardened finishes. The hardening process eliminates premature wear from abrasive dust, ensuring a much longer life than unhardened blowers.

### MAXIMUM CAPACITY & HORSEPOWER RATINGS

MODEL	CFR	PRESSURE	RPM											
			1600		2000		2400		2800		3200		3600	
			CFM	HP	CFM	HP	CFM	HP	CFM	HP	CFM	HP	CFM	HP
506	0.204	3	259	4.6	341	5.8	422	7.0	504	8.1	586	9.3	667	10.4
		6	231	9.3	313	11.6	395	13.9	476	16.2	558	18.6	639	20.9
		9	210	13.9	292	17.4	373	20.9	455	24.4	537	27.8	618	31.3
		12	192	18.6	274	23.2	355	27.8	437	32.5	519	37.1	600	41.8
		15	176	23.2	258	29.0	339	34.8	421	40.6	503	46.4	584	52.2
510	0.34	3	432	7.7	568	9.7	704	11.6	840	13.5	976	15.5	1112	17.4
		6	386	9.3	522	11.6	658	13.9	794	16.2	930	18.6	1066	20.9
		9	350	13.9	486	17.4	622	20.9	758	24.4	894	27.8	1030	31.3
		12	320	18.6	456	23.2	592	27.8	728	32.5	864	37.1	1000	41.8
		15	294	23.2	430	29.0	566	34.8	702	40.6	838	46.4	974	52.2
614	0.685	3	871	15.6	1145	19.5	1419	23.4	1693	27.3	1967	31.2	2241	35.1
		6	777	31.2	1051	39.0	1325	46.8	1599	54.5	1873	62.3	2147	70.1
		9	706	46.8	980	58.4	1254	70.1	1528	81.8	1802	93.5	2076	105.2
		12	645	62.3	919	77.9	1193	93.5	1467	109.1	1741	124.7		
		15	592	77.9	866	97.4	1140	116.9	1414	136.4	1688	155.9		
816	1.428	3	1815	32.5	2386	40.6	2957	48.7	3528	56.9	4100	65.0		
		6	1620	65.0	2191	81.2	2763	97.5	3334	113.7	3905	130.0		
		9	1471	97.5	2042	121.8	2613	146.2	3184	170.6				
		12	1345	130.0	1916	162.4	2487	194.9						
		15	1234	162.4	1805	203.1	2376	243.7						
1020	2.678	3	3403	60.9	4475	76.2	5546	91.4						
		6	3038	121.9	4110	152.3	5181	182.8						
		9	2758	182.8	3830	228.5	4901	274.2						
		12	2522	243.7	3593	304.6	4665	365.6						
		15	2314	304.6	3385	380.8	4457	457.0						



### DIMENSIONAL CHART

Blower Size	Std. Pipe	A	B	C	D	E	F	G	H	J	K
506	3/4"	3/8"	1 3/8"	3 3/8"	3 1/16"	10	18 13/16"	6"	15 1/4"	2 1/2"	10 1/2"
510	5"	3/8"	1.375"	3 3/8"	3 1/16"	11 15/16"	22 13/16"	10"	15 1/4"	2 1/2"	10 1/2"
614	6"	3/8"	1.562"	5"	4" 5/16"	15 15/16"	29 3/8"	14"	18 3/4"	3"	13"
816	7"	1/2"	2"	2 3/8"	2"	18 3/4"	34 5/8"	16"	25"	4"	22"
1020	8-10"	5/8"	2 1/2"	5 1/8"	3 1/2"	24 3/8"	43 7/8"	20"	31 1/2"	5"	22"

Due to continuous product development, specifications are subject to improve without notice.

## WALINGA.COM

### Head Office

R.R. #5,  
Guelph, Ontario  
Canada N1H 6J2  
Tel: 519.824.8520  
Tel: 888.925.4642  
Fax: 519.824.5651

### Michigan

1190 Electric Ave.  
Wayland, Michigan  
USA 49348  
Tel: 616.877.3470  
Tel: 800.466.1197  
Fax: 616.877.3474

### Manitoba

70 3rd Ave. N.E.  
Box 1790  
Carman, Manitoba  
Canada R0G 0J0  
Tel: 204.745.2951  
Fax: 204.745.6309

### Ontario

938 Glengarry Cres.  
Fergus, Ontario  
Canada N1M 2W6  
Tel: 519.787.VACS (8227)  
Fax: 519.787.8210

