



WALINGA[®]
INC.

CHAMPION

HIGH PERFORMANCE RECYCLING UNITS



Walinga Champion

From the day we produced our first Champion Recycler, Walinga committed to an on-going program of research and development. Increasingly diverse customer needs drive Walinga to the technology forefront. The welding, component fit, FRP (fiberglass reinforced plywood) side wall panels, and well thought out

Walinga factory cab conversions all speak to the dedication of generations of skilled Walinga craftsmen. Quality, durability, and meticulous attention to detail deliver a guaranteed low maintenance waste management solution that is second to none.



Bucket Lift Mechanism

The loading bucket lift mechanism is a solid 4-link style lift utilizing 3.5" x 24 3/4" stroke hydraulic lift cylinders to provide the smoothest possible operation.



Cab Conversion

Designed with the operator in mind, the Walinga Factory cab conversion makes entry/exit simple and efficient. The stand-up drive has complete operator controls, safety features, and is available on right, left, or both sides.



Cardboard Collection Gates

With a capacity of up to 7 cu. yds (5.36 m³), the optional "Cardboard Gate" can be supplied for source separation of O.C.C.



FEATURES & BENEFITS

WALINGA INC.

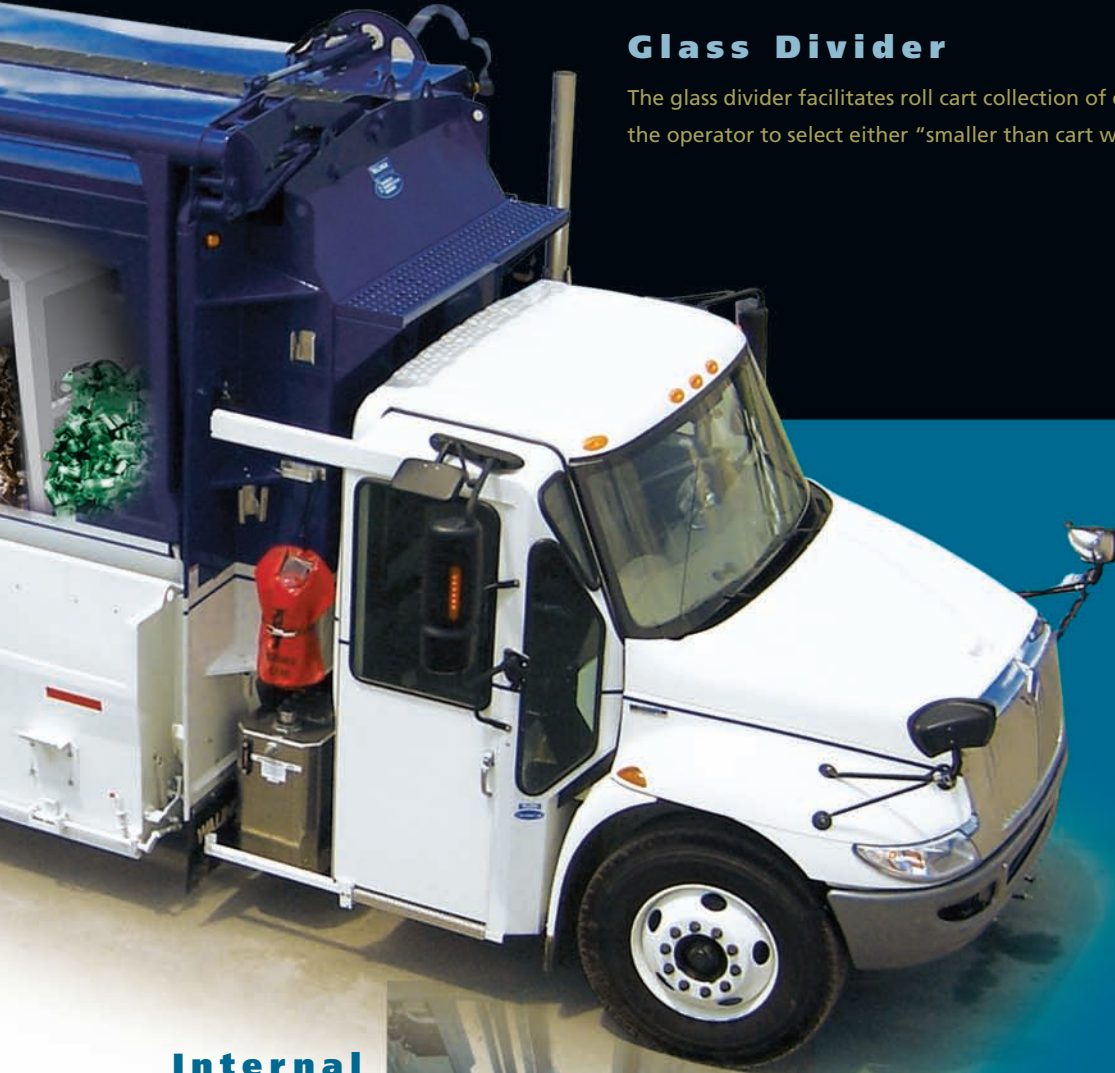


Walinga Aluminum Champion Recycling Unit

Simple and affordable, yet with maximum performance and minimal operating costs, available in single or double sided loading. Constructed of aluminum, these units offer a complete range of sizes and capacities to meet any recycling collection challenge.

Glass Divider

The glass divider facilitates roll cart collection of colour separated glass. The top diverter allows the operator to select either "smaller than cart width" compartment at the flick of a switch.



Expandable Bucket

A 16" (406 mm) loading bucket is standard equipment, with an optional expandable bucket that allows for bulk load collection whenever necessary. Simply pull the latch pins, and the bucket wall folds out.

Internal Dividers

The internal load dividers are designed for efficient operation. Man doors in the internal dividers allow the operator to make easy changes to suit route requirements.

Air operated dividers are optional. The loading bucket dividers are designed to match body dividers.



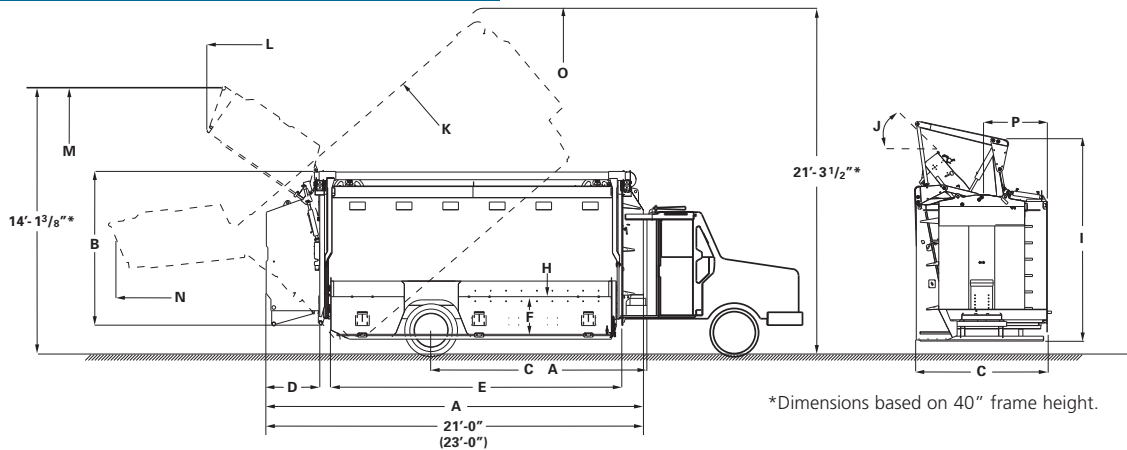
Automatic Cart Lifter

The loading bucket is designed to accommodate multiple auto-lock roll carts.



SPECIFICATIONS

Walinga Champion Specifications



*Dimensions based on 40" frame height.

SPECIFICATIONS

Body

Body Floor:	3/16" (4.8 mm)
Side Wall:	1" FRP (fiberglass reinforced plywood) (25.4 mm)
Roof:	10 ga (3.4 mm)
Roof Lid:	12 ga (2.7 mm)
Front Wall:	10 ga (3.4 mm)
Bustle Tailgate:	side panel 10 ga (3.4 mm) rear panel 14 ga (1.9 mm)
Bucket:	12 ga (2.7 mm)
Body partition:	14 ga (1.9 mm)

Cylinders

Roof:	2 Hyd. cylinder – bore = 3" dia. x stroke = 16"
Tail Gate:	Hyd. cylinders – bore = 2 1/2" dia. x stroke = 16"

Dump

Body Length 20' & 21'		Body Length 23'	
Stroke	160" (4064 mm)	Stroke	170" (4318 mm)
Bore	5.5" (140 mm)	Bore	5.5" (140 mm)
Stage	4	Stage	4

Hydraulics

Dry valve Pump:	cast iron gear type
Bucket Lift Cylinders	3 1/2" bore / 24.75" stroke

Hydraulic tank:	30 US Gal. (114 litres)
Filter:	10 micron on return line
Pressure:	2100 psi max. (143 bars)

DIMENSIONS



Unit length = 21' - 0" (6.4m)
Volume = 39 cu yd - 29.85 m³
Plus bustle tailgate - 4 cu yd
Bucket volume = 48 cu ft (1.35 cu meter)

Unit length = 23' - 0" (7.0m)
Volume = 42 cu yd - 32.15 m³
Plus bustle tailgate - 7 cu yd
Bucket volume = 61 cu ft (18.6 cu meter)

	21' - 0" (6.4m)	23' - 0" (7.0m)
A Length	293 1/8"	7445 mm
B Height above frame	105 1/4"	2673 mm
C Width	101 3/4"	2584 mm
D Tailgate length	41"	1041 mm
E Bucket length	222 3/8"	5648 mm
F Bucket depth	33"	838 mm
G Bucket width	16"	406 mm
H Loading height	46 13/16"	1189 mm
I Height above frame	156 5/8"	3978 mm
J Bucket dumping angle	51°	51°
K Body dumping angle	41°	41°
L Length - tailgate raised, body down	339 1/2"	8623 mm
M Height above frame, tailgate raised, body down	170 9/16"	4332 mm
N Body raised - tailgate raised, overall length	416"	10566 mm
O Height above frame dump position	221 5/8"	5629 mm
P Distance - lid hinge to wall	57 5/8"	1464 mm
CA Cab to axle	168"	4267 mm

Due to continual product development, specifications are subject to change without notice.

OPTIONS

Steel body walls in lieu of FRP • Partition diverter panel for colour/clear glass • Auto - Slide body divider • Dual side body loading bucket • Custom cab conversion for stand up drive (right/left or both) • 7 cu. yds (5.36 m³) Cardboard Gate



Head office:
R.R. #5, Guelph, ON.
Canada N1H 6J2
Tel (888) 925-4642
Fax (519) 824-5651

Michigan:
1190 Electric Ave.
Wayland, MI
USA 49348
Tel (800) 466-1197
Fax (616) 877-3474

Manitoba:
70 3rd Ave. N.E. Box 1790
Carman, Manitoba
Canada R0G 0J0
Tel (204) 745-2951
Fax (204) 745-6309

Saskatchewan:
P.O. Box 849
220 Frontage Rd.
Davidson, Saskatchewan
S0G 1A0
Tel (306) 567-3031
Fax (306) 567-3039

Iowa:
579 4th St. N.W.
Sioux Center, IA
USA 51250
Tel (800) 845-5589
Fax (712) 722-1128

www.walinga.com