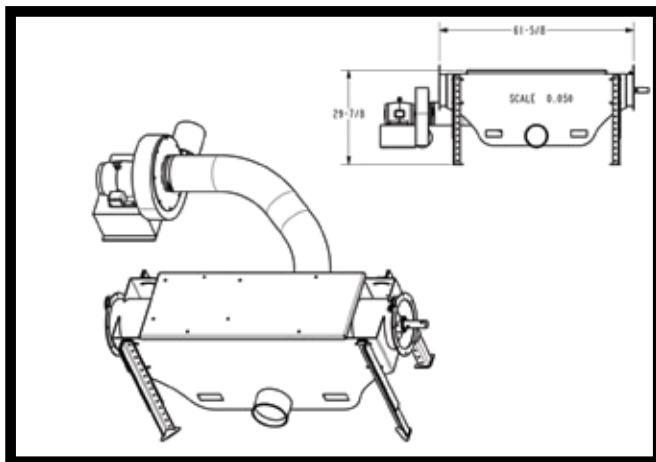
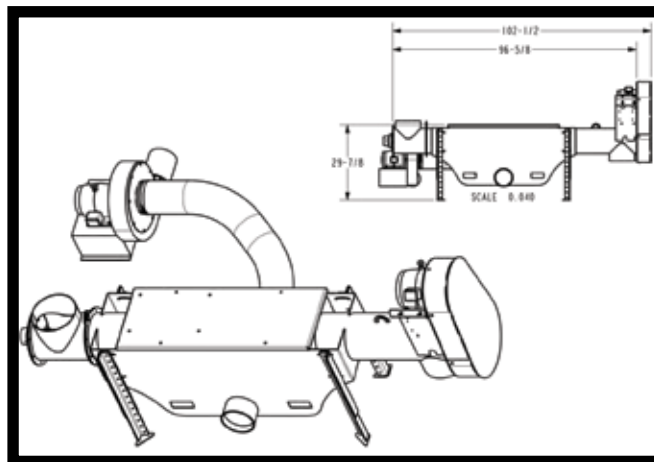


Grain Cleaner





DRYER MOUNTED UNIT



SELF CONTAINED UNIT

MAXIMIZE GRAIN HANDLING PROFIT!

Growing with our customers, the Walinga Grain-Cleaner is the newest addition the Walinga family of grain handling equipment. Together with our clients we have combined their best field practices with Walinga engineering to produce the ideal solution for removing dust, 'bees-wings' and fines from your grain before storage and transporting to sale point. Walinga equipment is, as always, designed with foremost consideration for the operator.

The Grain-Cleaner is a totally enclosed system that not only cleans the grain but prevents the release of smaller particulate matter back into the air we breathe.

Heavy duty bristles and 10" discharge augers ensure perfectly cleaned grain delivered at an exceptional rate of speed.

Available as Self-Contained Units and Dryer Mounted Units, with different screen sizes available, the Walinga Grain-Cleaner is another example of a quality Walinga product developed to meet the needs of our customers.

DIFFERENT SCREEN STYLES AVAILABLE

Choose from a wide selection of screen styles to best clean corn, soybeans, wheat, edible beans, barley, durum, flax, etc.

FEATURES AND BENEFITS

- 2', 4' and 6' Extensions Available
- Heavy Duty Construction
- 10" Heavy Duty Steel Auger
- Electric Twin Belt Drive
- Quick & Easy Access Lid
- 3HP Fan/Blower
- Heavy Duty Bristles



***DRYER MOUNTED VERSION**

WALINGA.COM



Head Office

R.R. #5,
Guelph, Ontario
Canada N1H 6J2
Tel: 519.824.8520
Tel: 888.925.4642
Fax: 519.824.5651

Michigan

1190 Electric Ave.
Wayland, Michigan
USA 49348
Tel: 616.877.3470
Tel: 800.466.1197
Fax: 616.877.3474

Manitoba

70 3rd Ave. N.E.
Box 1790
Carman, Manitoba
Canada R0G 0J0
Tel: 204.745.2951
Fax: 204.745.6309

Ontario

938 Glengarry Cres.
Fergus, Ontario
Canada N1M 2W6
Tel: 519.787.VACS (8227)
Fax: 519.787.8210

Australia

Customvac Australia
24 Molloy St.
Toowoomba Qld 4350
Australia
Tel: 1800 242 699

