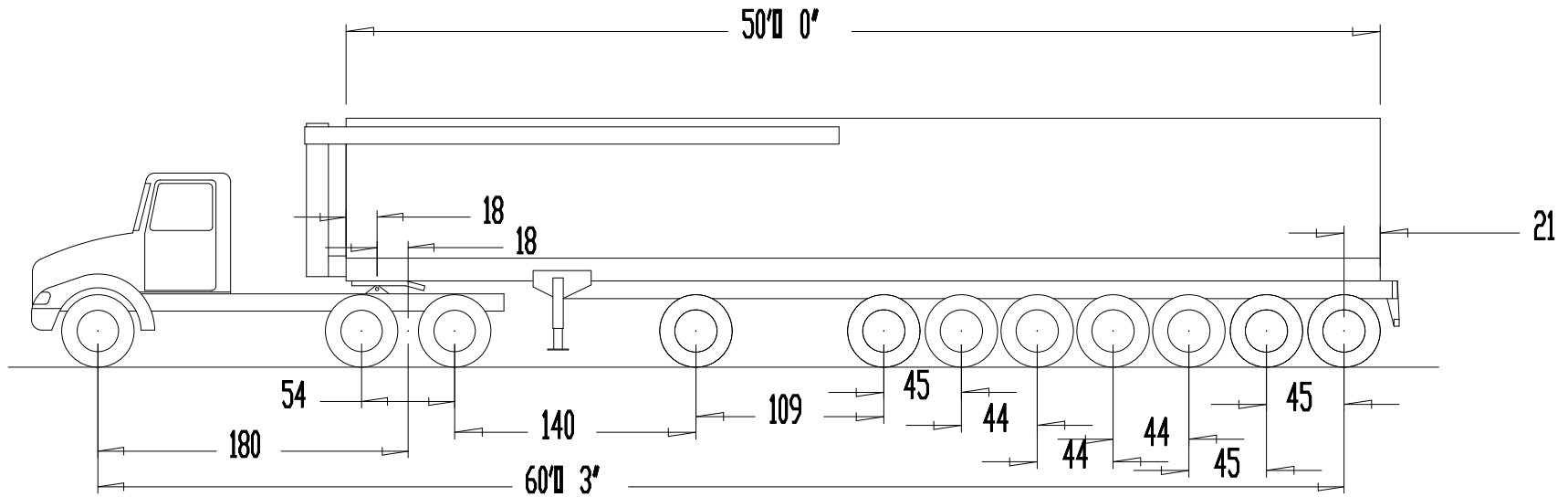


Truck Make:
Truck Model:



MICHIGAN (Green Roads)

Tractor : Allowed Weight ▯ Steer Axle : 12,350
 Allowed Weight ▯ Drive Axles : 32,000
 Trailer : Allowed Weight ▯ Quad : 52,000
 Allowed Weight ▯ 108' Lift Axle : 18,000
 Allowed Weight ▯ 45' Lift Axles : 39,000
 Total Allowed Weight ▯ All Axles : 153,350
 Maximum Allowed G V W : 153,350
 MAXIMUM ALLOWED PAYLOAD : 106,410

Estimated Tare Weights: Tractor ▯ Steer Axle:
 Drive Axles:
 Total: 17,400
 Tare Weight ▯ Trailer: 29,540
 Total Tare Weights: 46,940

NOTE : ▯ APPROXIMATION ONLY !
 ▯ For SPECIFIC ROADS ONLY
 ▯ ALL WEIGHTS IN POUNDS

WEIGHT DISTRIBUTION : 8 AXLE ULTRALITE HOPPER AUGER TRAILER

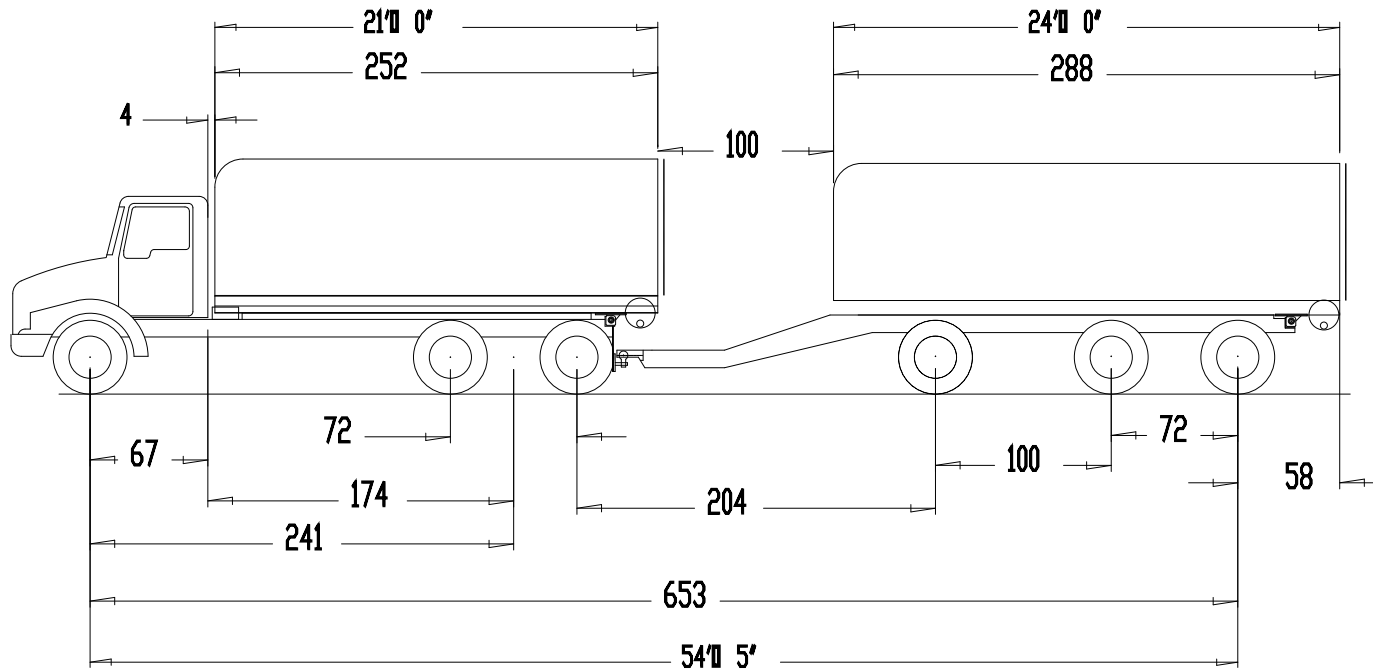
PREPARED BY:

DATE: July 20, 2001

WALINGA INC.
GUELPH ONTARIO

REFERENCE WORKORDER
OR CONTRACT NUMBER:

Truck Make:
Truck Model:



ONTARIO

Lead : Maximum Allowable Weight Steer Axle : 9,000
 Maximum Allowable Weight Drive Axles : 19,100
 Pony : Maximum Allowable Weight Tandem : 19,100
 Maximum Allowable Weight Lift Axle : 10,000
 Total Allowable Weight by Axles : 57,200
 Allowable Weight by Configuration : 56,000
 Maximum Allowable Gross Vehicle Weight : 56,000
 Estimated Maximum Payload : 36,300

Estimated Tare Weights: Lead

Steer Axle:
 Drive Axles:
 Total: 12,300

Estimated Tare Weights: Pony : 7,400

Total Estimated Tare Weights : 19,700

APPROXIMATION ONLY!
 ALL WEIGHTS IN KILOGRAMS

TITLE: Weight Distribution Tandem Lead & TriAxle Pony : 72' Drives

PREPARED BY:

DATE: May 14, 2002

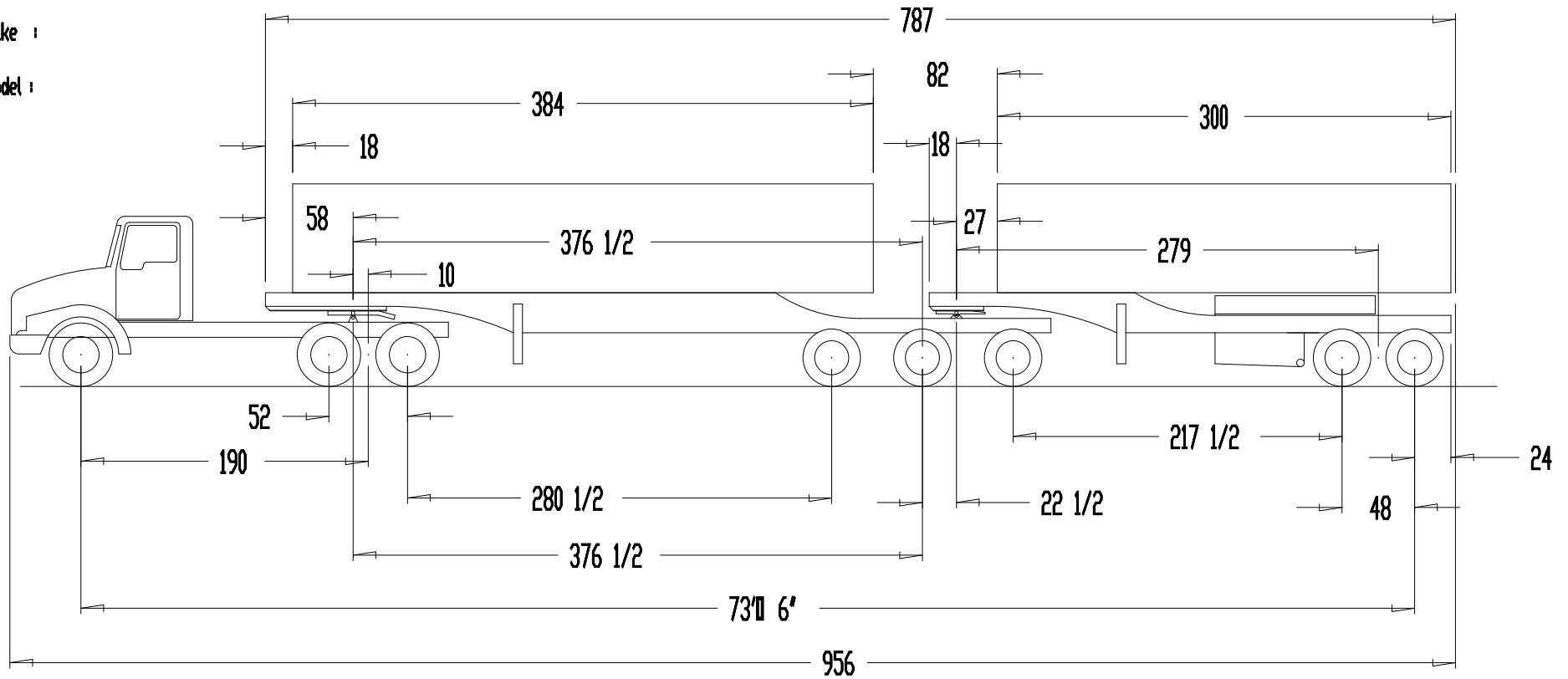
CHECKED BY:

WALINGA INC.
GUELPH ONTARIO

REFERENCE WORKORDER
OR CONTRACT NUMBER:

Truck Make :

Truck Model :



Tractor : Maximum Allowable Weight □ Front Axle : 5,500
 Maximum Allowable Weight □ Rear Axles : 17,000
 Trailers : Maximum Allowable Weight □ Tridem Axles : 23,000
 Maximum Allowable Weight □ Tandem Axles : 17,000
 Maximum Allowable Weight □ All Axles : 62,500

Maximum Gross Vehicle Weight : 62,500

B Train Estimated Payload : 38,980

Estimated Tare Weights: Tractor □ Front Axle :
 □ Rear Axles :
 □ Total : 8,550 (est.)

Estimated Tare Weights : Trailers □ Lead : 8,860
 □ Pup : 6,110
 □ Trailers Total : 14,970
 Unit Total Estimated Tare Weights : 23,520

NOTE : □ Approximation Only !
 □ ALBERTA Weight Laws □ R T A C
 □ All Weights are in Kilograms

TITLE: DIMENSIONAL LAYOUT : 8 AXLE B □ TRAIN UNIT

PREPARED BY:

DATE: January 11,1999

CHECKED BY:

WALINGA INC.
 GUELPH ONTARIO

REFERENCE WORKORDER
 OR CONTRACT NUMBER: