

WALINGA[®]
INC.

**ENGINEERED
TRANSPORTATION
EQUIPMENT**



WALINGA[®]
BULK COMMODITY TRAILERS INC.



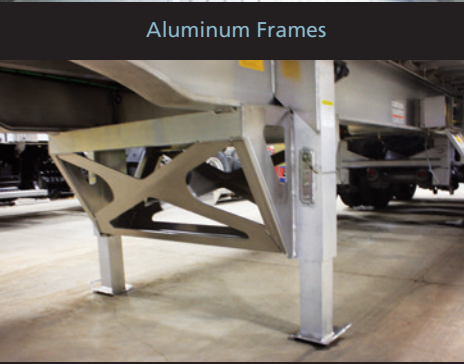
Bulk Commodity Trailers



Since 1954 Walinga Inc. has been manufacturing various types of Bulk Commodity units. We continue to listen, to understand and innovate to meet the needs of our industry. Walinga Bulk Commodity trailers give you maximum payload with minimum weight to strength ratios and of course, our guaranteed low maintenance requirements.



Load Dividers



Aluminum Frames



Toolboxes



Solid Roof with Checkerplate Walkway



OPTIONS

- Solid Roof with Checkerplate Walkway
- Sealed Tailgates
- Grain / Coal Chutes
- Sealed Lighting System
- Stabilizer Legs
- Air Ride Suspensions
- Full Paint
- Walking Floors
- Air Discharge Systems
- Aerodynamic Front
- Load Dividers
- Toolboxes
- Aluminum Frames



Extruded Aluminum Rubrail and Toprail

All add to the integrity of the Walinga dump trailer configuration.

FEATURES & BENEFITS

WALINGA® INC.

Available as pup trailer or semi-trailer the Walinga Bulk Commodity trailers feature many of the user proven components on the Walinga line of bulk transportation equipment.

The main features of the Walinga Bulk Commodity Trailers are:

- All aluminum construction
- Extruded aluminum side stakes
- Extruded aluminum rubrail and top rail
- Heavy duty tailgate locks and hinges



Heavy Duty Tailgate Locks and Hinges & Grain Chutes

Allow for greater flexibility in meeting your needs, combination swing/flip up type gates, side hinges or top hinges, 1,2 or 3 grain/coal chutes. Watertight tailgate seals.



All Aluminum Construction

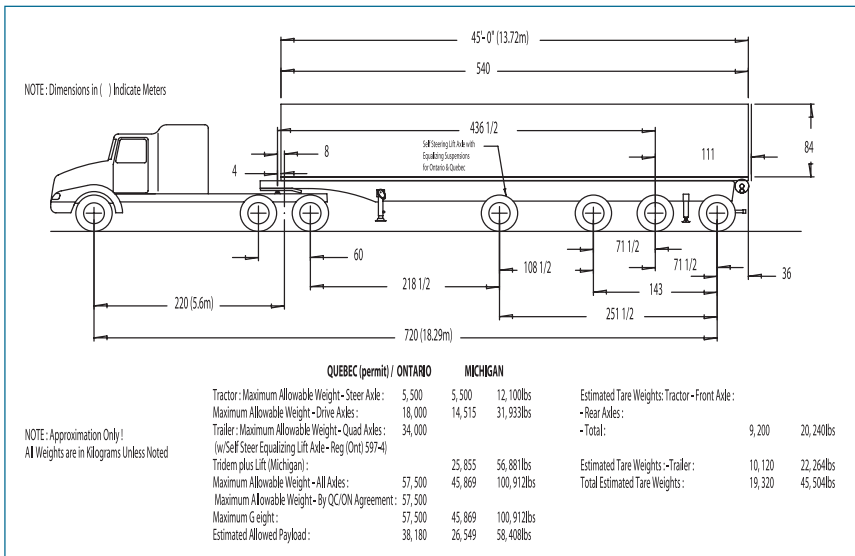
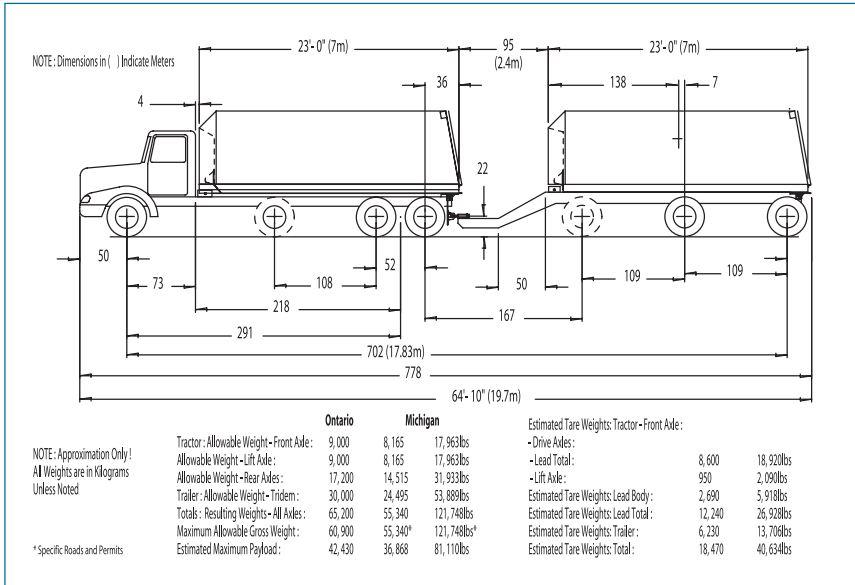
The Walinga general commodity dump trailers are available with aluminum frames to provide the operator with greater weight savings.

Extruded Aluminum Side Stakes

Are available in light duty or heavy duty style. Side stakes are 100% welded for greater strength and durability.

Customization

The Walinga Bulk Commodity Trailers are available in lengths from 18 feet to 45 feet in overall length. Our commitment is to an ongoing program of research and development to give you the best possible equipment for the job. In addition, Walinga also provides Weight Distribution Studies to help you decide what the best layout / design will be in order to maximize payload.



Visit us at www.walinga.com



Head office:
R.R. #5, Guelph, ON.
Canada N1H 6J2
Tel (519) 824-8520
Fax (519) 824-5651

Michigan:
1190 Electric Ave.
Wayland MI.
USA 49348
Tel: (800) 466-1197
Fax: (616) 877-3474

Manitoba:
70 3rd Ave. N.E. Box 1790
Carman, Manitoba
Canada R0G 0J0
Tel (204) 745-2951
Fax (204) 745-6309

Saskatchewan:
P.O. Box 849
220 Frontage Rd.
Davidson, Saskatchewan
S0G 1A0
Tel (306) 567-3031
Fax (306) 567-3039