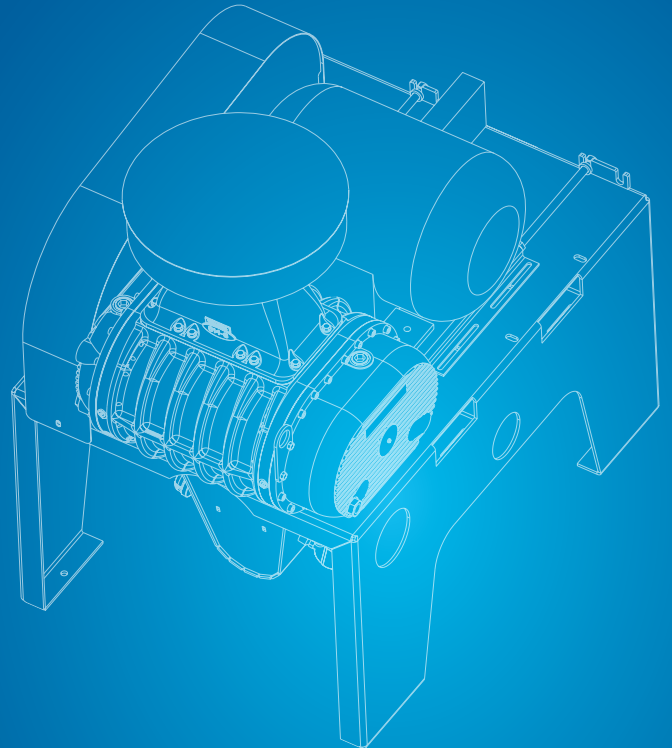
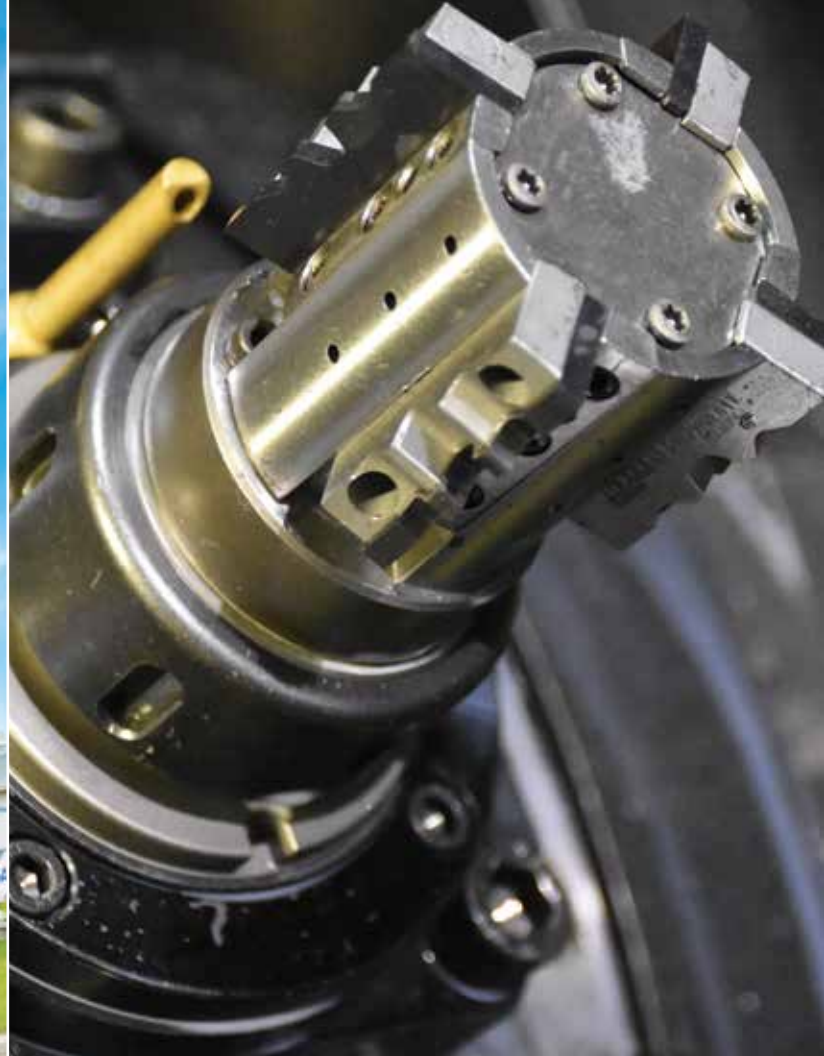


MACHINING DIVISION

WALINGA[®]
INC.

MACHINING
DIVISION



WALINGA[®]
TOUGH TO BEAT IN THE LONG RUN

START

MEASURED FILES



START WITH AN IDEA

PRECISION ASSEMBLY

Starting with only your BIG idea... Machining Division engineers work with you to generate measured electronic drawings.

Walinga expertise helps specify the right materials and manage procurement. Approved drawing files are then transferred to CNC.



GIVE US YOUR CAD FILE

PRECISION MULTI-TASK MACHINING

Provide your electronic files and Walinga's skilled machinists efficiently produce low or high volume complex parts with advanced machine tools.

BEAUTY, STRENGTH, VERSATILITY

Whether large pump and valve bodies, complex castings or small specialty components, Walinga provides tailored manufacturing solutions specific to your unique demands. Beauty is in the details.



REVERSE ENGINEERED FABRICATION

START WITH A DAMAGED OR PROTOTYPE COMPONENT

Reverse engineering, dimensional specifications and Quality Assurance are exact with the world class support of portable FARO Arm Coordinate Measurement Technologies. 3D tools precisely document existing component dimensions to create new CAD files.



Maintaining its ISO 9001:2015 rating, Walinga precision engineered component parts & full assemblies are always delivered on spec, on budget and on time.

WALINGA®

CNC

FINISHING & ASSEMBLY

CNC MANUFACTURING

Walinga's continual investment in state-of-the-art CNC equipment ensures components are always manufactured to exacting standards with tolerance and quality assurance inspections throughout production.



FINISHING & ASSEMBLY

Whether a unique 'one-off' component or production run of complex assemblies, Walinga's manufacturing service offering extends well beyond CNC.



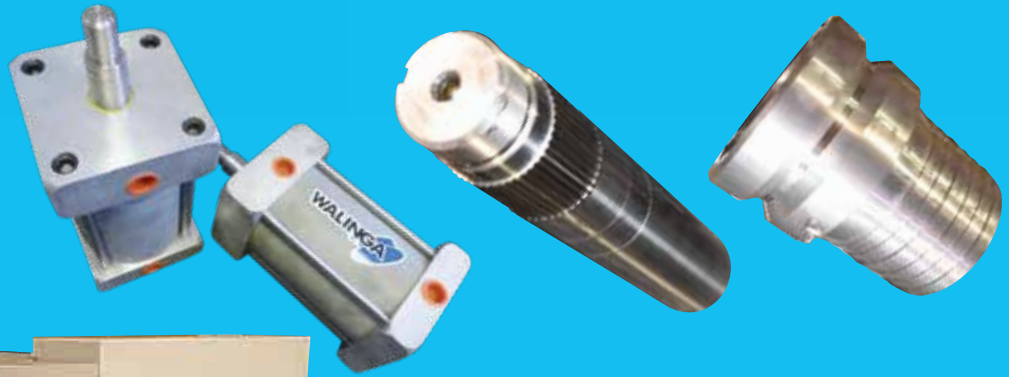
Select from any number of coatings including Walinga's proprietary Corvor wear protection, anodizing, heat treatments and painting. Walinga works with customers to deliver an appropriate solution.



NEW ASSEMBLIES

NEW COMPONENTS

NEW PARTS



WALINGA®

PARTNERS IN PRECISION



Walinga is a company built upon family values; honesty, integrity and cooperation. Walinga products and services represent the best in manufacturing excellence.

For 60 years we have manufactured and found solutions in all facets of the design and construction of precision components and assembled units.

Your source for raw materials such as castings and components, to final assembly and inspection; Walinga's Machining Division provides you with complete solutions.

It's not what we do – it's who we are!



WALINGA.COM

Machining Division

70 3rd Ave. N.E.
Box 1790
Carman, Manitoba
Canada R0G 0J0
Tel: 204.745.2951
Fax: 204.745.6309

Head Office

R.R. #5,
Guelph, Ontario
Canada N1H 6J2
Tel: 519.824.8520
Tel: 888.925.4642
Fax: 519.824.5651

For Inquiries

Cor Lodder
Tel: 204.745.2951
Fax: 204.745.6309
Email: cor.lodder@walinga.com

